

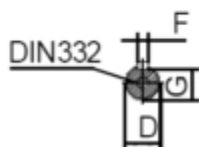
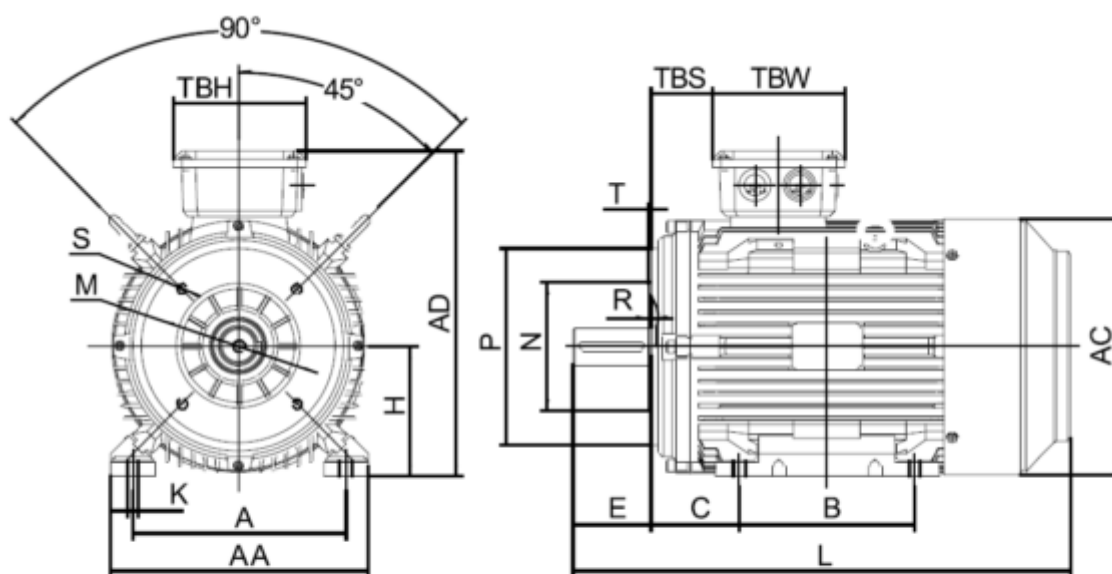
Data Sheet



Article number: 250300400216

Description: Kleedrive T3C 112M-2 4.0KW 2800 rpm
3x230/400V 50HZ IP55 B34 Eff=88,1%

Measures



A = 190	F = 8	P = 160
AA = 231	G = 24	R = 0
AC = Ø220	H = 112	S = -
AD = 292	HD = 180	T = M8
B = 140	K = Ø12	TBH = 134
C = 70	L = 405	TBS = 73
D = Ø28	M = 130	TBW = 134
E = 60	N = 100	